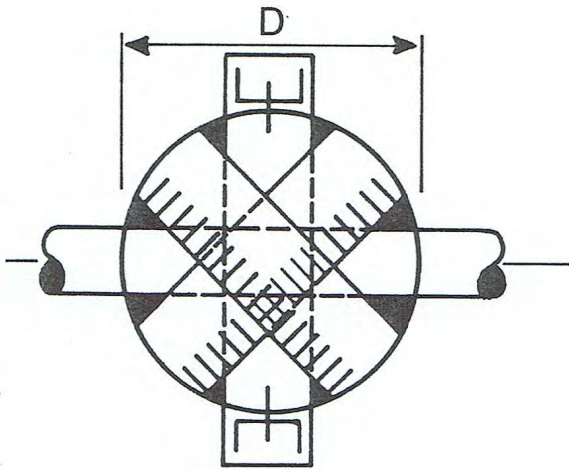


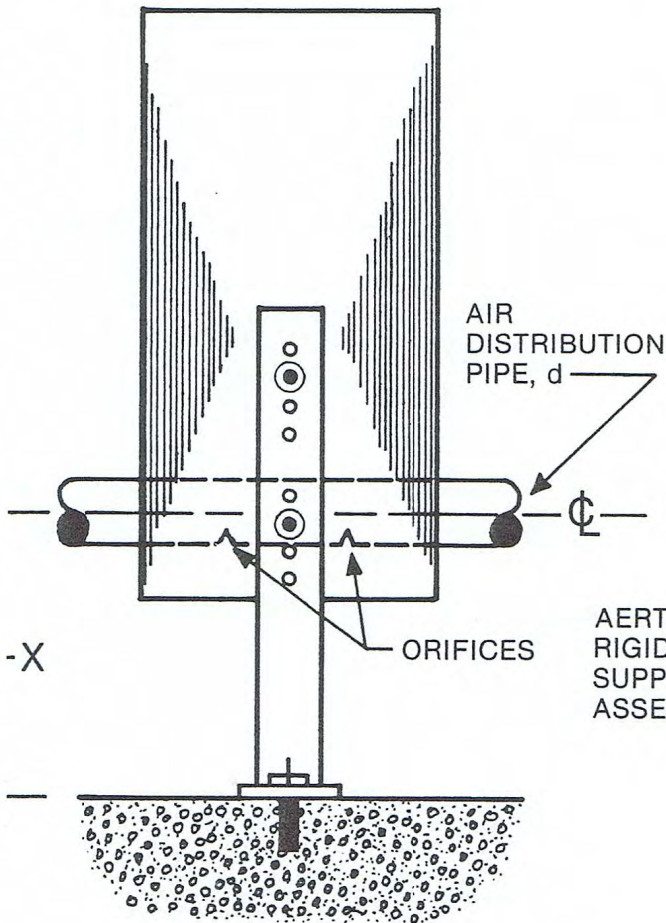
## R-SERIES RIGID SUPPORT AND ANCHORAGE



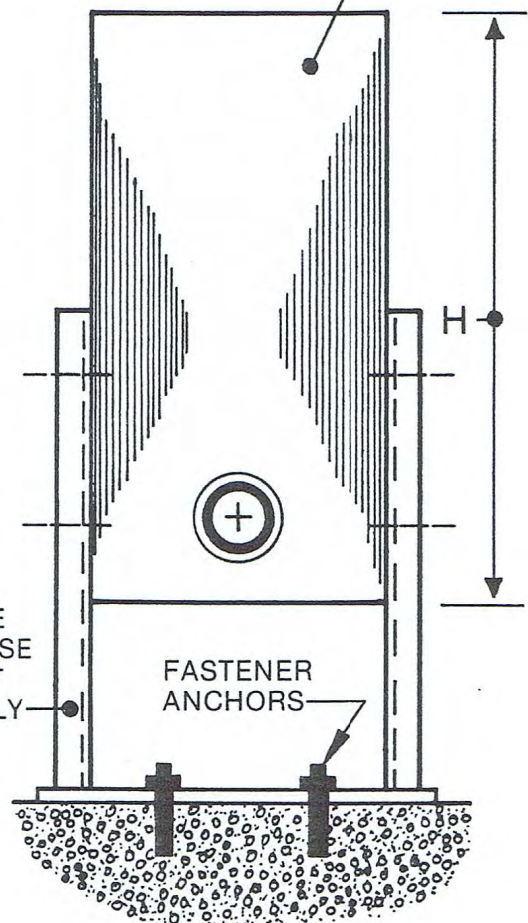
TOP VIEW

Model Number	Max. Weight, lbs.	Nom. Dim., ins.			
		D	H	d	X
R1200	27	12	12	3	10
R1210	34	12	24	or	in.
R1220	41	12	36	4	min.
R1800	35	18	12	in.	↓
R1810	48	18	24	↓	↓
R1820	61	18	36	↓	↓

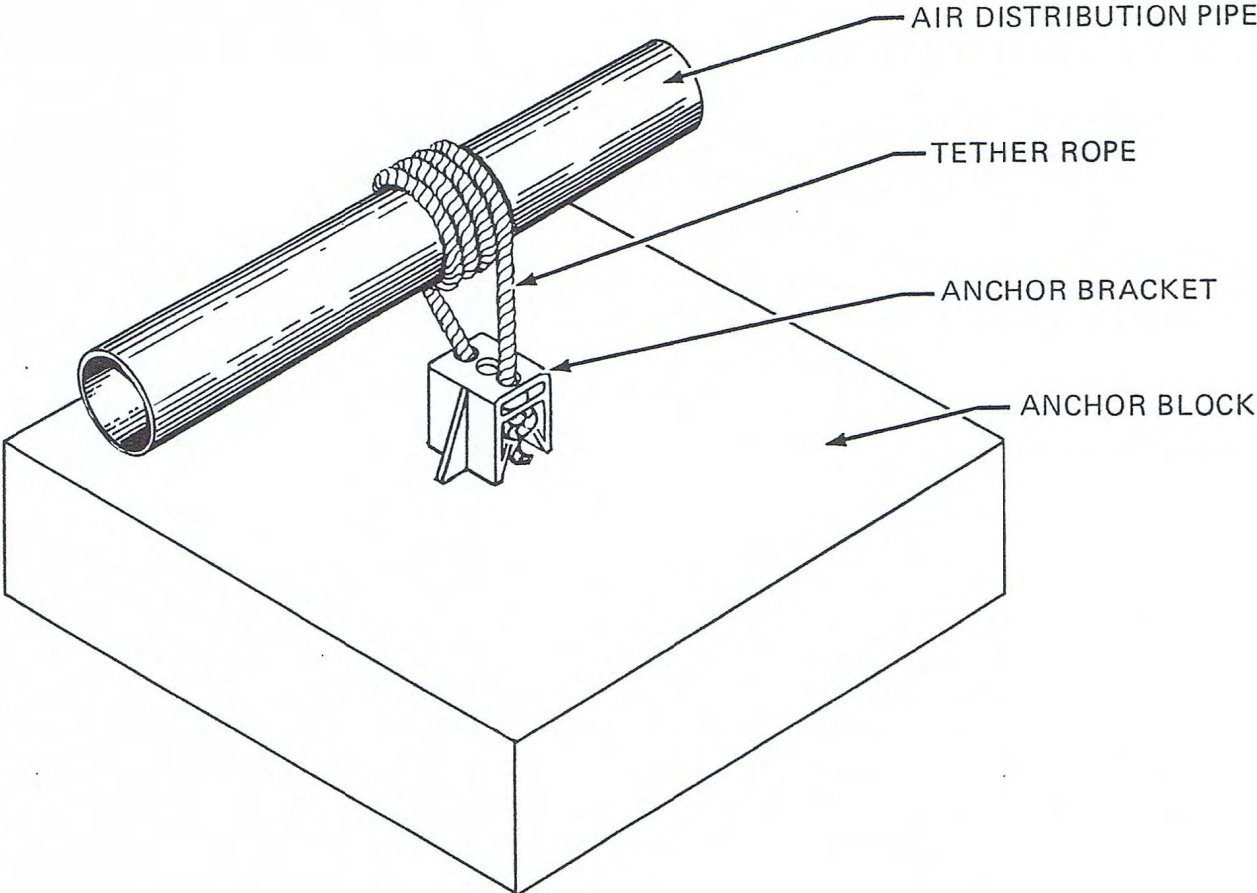
AERTUBE FLOW DEVELOPER ASSEMBLY



SIDE VIEW



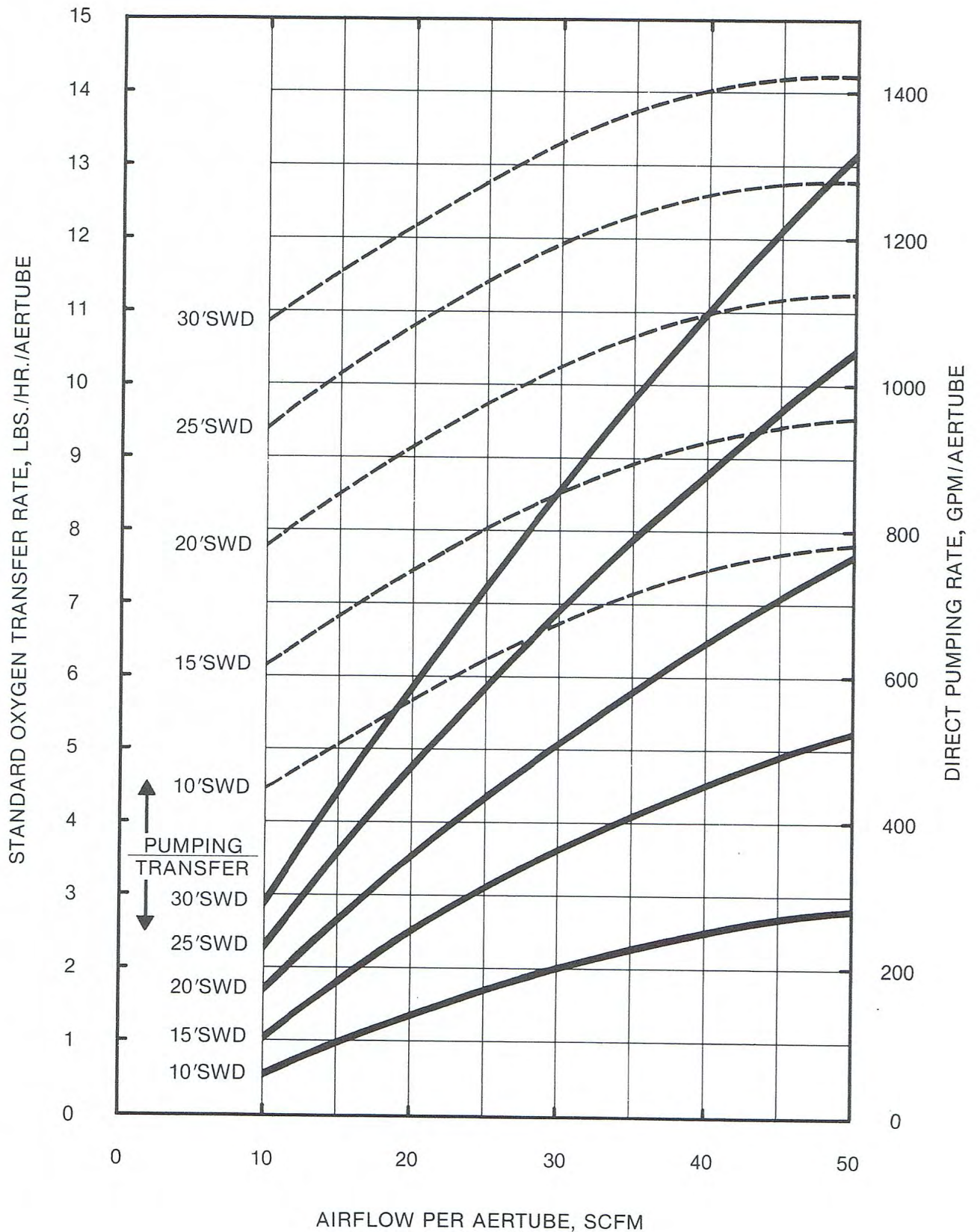
END VIEW







### AERTUBE TRANSFER AND PUMPING DATA



## AERTUBE SOLIDS SUSPENSION DATA

